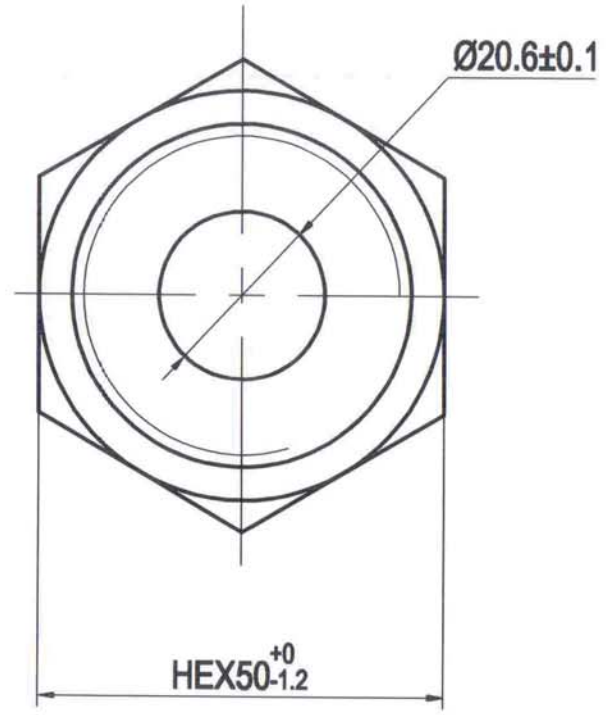
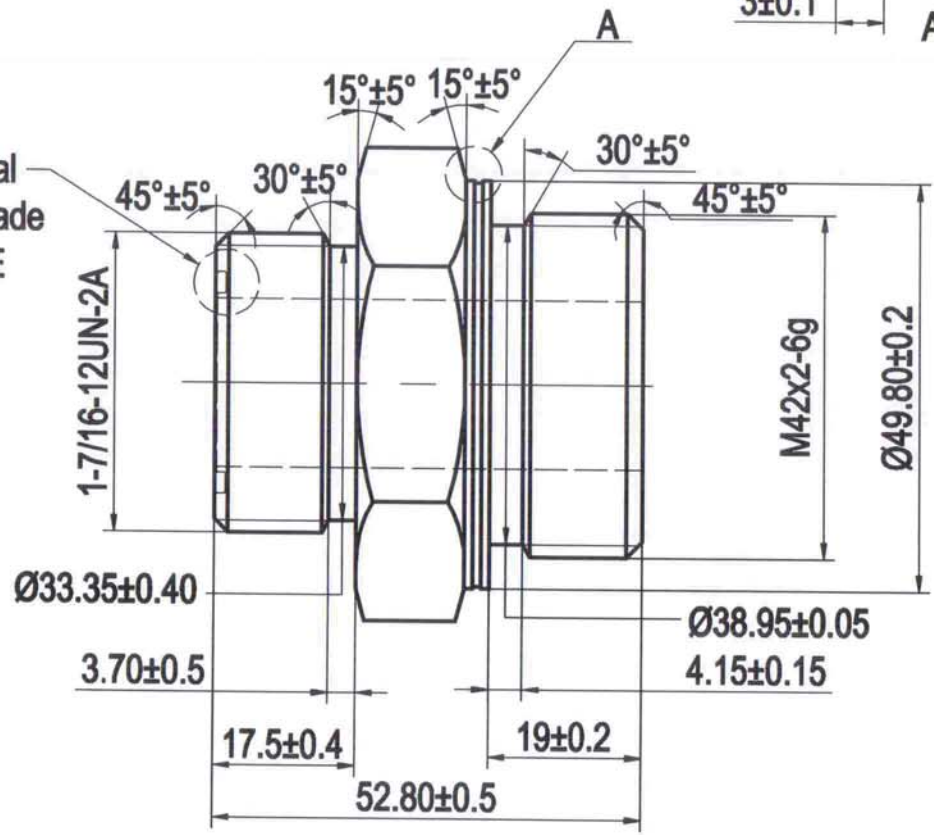


REV 更改号	DATE 日期	REVISION DETAILS 更改内容	APPD 审核并批准

The FS seal groove is made as per SAE J1453-1



UNLESS SPECIFIED  
ALL DIMENSIONS IN mm,  
MACHINED SURFACES Ra=3.2um,  
ANGLE TOLERANCES ±1°,  
Other tolerance except angles,  
in accordance with  
GB/T1804-2000(ISO2768-1)-m and  
GB/T1184-1996(ISO 2768-2)-m

其它事项  
图示尺寸单位为MM  
未注机加工表面粗糙度为Ra=3.2  
未注角度公差±1°  
其它未注公差（除角度外）均按：  
GB/T1804-2000(ISO2768-1)-M和  
GB/T1184-1996(ISO 2768-2)-m



PART NO 零件名	6400-16FS-M42		
SCALE NTS	APPD: 批准: Zhangjian	DRN 制图: WAN QIU	DATE 日期: 2015.09.08
	DATE 日期: 11/09/15	CHK 审核: YB. ZHAN	DATE 日期: 2015.09.08

MATERIAL	Chinese steel 45	材质: 45#
FINISH	Remove all sharp edges ,burrs ,Silvers and swarf, break all edges 0.127-0.254mm. Zinc Plated With Trivalent Chromate And No Red Corosion In 96 Hours Salt Spray Test.	去除所有毛刺, 铁屑等残留物, 锐边倒钝0.127-0.254mm 镀锌, 三价铬钝化, 银白色. 96小时盐雾试验无红斑.